

Data Sheet

E2 Sanitary Pressure Transducer

FEATURES

- Available with 1.5" and 2.0" Tri-Clamp® connection
- Ranges vacuum through 1000 psi
- Glycerin fill fluid is standard for ranges from 0 to 1000 psi, mineral oil fill fluid is standard on vacuum, compound and absolute ranges.
- Wide selection of electrical terminations
- Customizable configurations
- External magnetic offset & span adjustment

TYPICAL USES

- Food, dairy and beverage production
- Pharmaceutical
- 3A Sanitary applications
- Biotech and medical equipment
- Filtration

PERFORMANCE SPECIFICATIONS

Reference Temperature:	21°C ±2°C (70°F ±3°F)
Static Accuracy:	±0.25% of span, ±0.50% of span, ±1.0% of span, Terminal Point Method includes: hysteresis, linearity, repeatability, offset and span
Stability:	±0.25% year at reference conditions

ENVIRONMENTAL SPECIFICATIONS

Thermal Coefficients:	Offset: ±0.009% /°C from -40°C to 125°C Span: ±0.009% /°C from -40°C to 125°C
-----------------------	--

Additional Offset Temperature Error (21°C Reference Temp.)

	Glycerin	Silicone
1.5" Fitting	0.8 psi/100°C	1.4 psi/100°C
2.0" Fitting	0.5 psi/100°C	0.7 psi/100°C

Temperature Limits: (Subject to Fill Fluid)

Code	Fill Fluid	Storage Operating and Media Temperature
CG*	Glycerine	0°F to 257°F (-18°C to 125°C) (STD.) *Standard on ranges from 0 to 1000 psig.
CZ	Food grade Silicone	-40°F to 257°F (-40°C to 125°C)
FJ	Distilled water	40°F TO 185°F (4°C TO 85°C)
MY*	Mineral oil	10°F to 257°F (-12°C to 125°C) *Standard on all vacuum, compound and absolute ranges.
NM	Neobee® M20	5°F to 257°F (-5°C to 125°C)

Note: Contact Ashcroft for alternate fill fluids

Humidity:	0-100% (non-condensing)
-----------	-------------------------

FUNCTIONAL SPECIFICATIONS

Response Time (Output)	4 ms
Gauge/Compound Pressure Ranges:	VAC to 1000 psig
Absolute Pressure Ranges:	0 to 500 psia
Proof Pressure:	1.2X - 2X (See Table 1 on page 2)
Burst Pressure:	3X - 8X (See Table 1 on page 2)



E2 Sanitary Pressure Transducer



KEY BENEFITS

- Highly configurable
- Easy calibration of offset and span

ELECTRICAL SPECIFICATIONS

Circuit Protection:	Reverse polarity protected	
Output Signal:	Supply Voltage: (unregulated)	
	Min:	Max:
0-5 Vdc (3 Wire)	9 Vdc	36 Vdc
1-5 Vdc (3 Wire)	9 Vdc	36 Vdc
1-6 Vdc (3 Wire)	9 Vdc	36 Vdc
0-10 Vdc (3 Wire)	14 Vdc	36 Vdc
1-11 Vdc (3 Wire)	14 Vdc	36 Vdc
0.1-5 Vdc (3 Wire)	9 Vdc	36 Vdc
0.1-10 Vdc (3 Wire)	14 Vdc	36 Vdc
0.5-4.5 Vdc (3 Wire)	9 Vdc	36 Vdc
4-20 mA (2 Wire)	9 Vdc	36 Vdc
20-4 mA (2 Wire)	9 Vdc	36 Vdc
Adjustability:	±5% of span non-interactive offset & span	
Supply Current:	<8 mA (Vout)	
Current Source/Sink for Voltage Output	1 mA (source)/ 0.1 mA (sink) MAX.	
Withstand/Breakdown	100 Vdc/Vac, optional 500 Vdc/Vac	

Data Sheet

E2 Sanitary Pressure Transducer

PHYSICAL SPECIFICATIONS

Ingress Rating: IP66 (NEMA 4X) (STD.)
IP67 (IP69K Consult factory)

WETTED MATERIAL

Diaphragm: 316L Stainless steel (12-20 Ra Surface finish)
Process Connection: 316L Stainless steel (Electro-polished)

NON-WETTED MATERIAL

Housing: 316L Stainless steel
Sensor: A - 17-4PH Stainless steel
C - 316L Stainless steel

EMC TESTING

EMC: Directive 2014/30/EU, EN61326-1,
EN61326-2-3 (Industrial Env.)

Immunity:	Standard	Level
	61000-4-2 (ESD)	±4kV/±8kV (Contact/Air)
	61000-4-3 (Radiated RF)	10 V/m to 1GHz, 3 V/m to 2GHz, 1 V/m to 2.7GHz
	61000-4-4 (EFT/Burst)	±1kV (5/50ns, 5kHz)
	61000-4-5 (Surge)	±1kV, Earth to Shield over all I/O lines
	61000-4-6 (Conducted RF)	3V/ (0.15 to 80MHz)
	61000-4-8 (Line Freq. Magnetic)	30A/m

Emissions: EN 55011 (CISPR 11) Class A, Group 1 & FCC (47 CFR 15)

APPROVALS

CE, UL/cUL Recognized component (UL 61010-1, CSA 22.2 61010-1),
Electrical Equipment for Measurement, Control, and Laboratory Use.

TABLE 1: PROOF & BURST PRESSURE MULTIPLIERS

Sensor Range	Sensor A - 17-4PH SS		Sensor C - 316L SS	
	Proof	Burst	Proof	Burst
(psi)				
30			60	150
45	90	360	90	225
50	100	400	100	250
60	120	480	120	300
75	150	600	150	375
100	200	800	200	500
150	300	1000	300	600
200	400	1000	400	600
300	600	1000	600	900
500	1000	1000	1000	1000
750	1000	1000		
1000	1000	1000		
(Compound)				
VAC#			30	75
V&15#			60	150
V&30#			90	225
V&45#	120	480		
V&60#	150	600	150	375
V&100#	230	920		
V&150#	330	1000	330	660
V&200#	430	1000		
V&300#	630	1000	630	945
(psia)				
15			30	75
30			60	150
70			140	350
150			300	600
300			600	900
500			1000	1000

Data Sheet

E2 Sanitary Pressure Transducer

ORDERING CODE	Example:	E2G	A	5	C	S15	42	CC	X	10	F	100#	-XNH
Model													
E2G - Sanitary Pressure Transducer													
Sensor Materials - See Table 2 on page 4 for range options													
A - 17-4PH Stainless steel													
C - 316L Stainless steel (liquid isolated)													
Accuracy													
3 - ±0.25% span													
5 - ±0.50% span													
7 - ±1.00% span													
Calibration Chart													
N - Without calibration chart													
C - With calibration chart													
Pressure Connections - See Table 3 on page 4 for dimensional information													
S15 - 1.5" Tri-Clamp													
S20 - 2.0" Tri-Clamp													
Output Type													
05 - 0-5 Vdc													
10 - 0-10 Vdc													
11 - 1-11 Vdc													
12 - 1-10 Vdc													
13 - 0.1-5 Vdc													
15 - 1-5 Vdc													
16 - 1-6 Vdc													
42 - 4-20 mA													
45 - 0.5-4.5 Vdc non-ratiometric													
00 - Custom													
Electrical Terminations - See Table 4 on page 5 for more options													
CC - (½ NPT conduit w/cable)													
Mating Connector													
M - With mating connector													
X - Without mating connector													
Cable Length													
Max cable length of 30 ft for outputs 05, 10, 11, 12, 13, 15, 16 and 45. Max cable length of 99 ft for outputs 24 and 42													
00 - No cable													
XX - 01 to 99													
Unit of Length													
F - Feet													
M - Meter													
N - Inches													
0 - No cable													
Pressure Ranges - Coding example only, see Table 5 on page 6 for more options													
100# - 100 psig													
Options (if choosing an option(s) must include an "X")													
NN - Paper tag													
NH - Stainless steel tag													
CZ - Silicone fill fluid (3A certified)													
MY - Light mineral oil fill fluid (3A certified)													
NM - Neobee® M20 fill fluid (3A certified)													
FJ - Distilled water fill fluid (3A certified)													

Accessory	Part Number
Offset and Span Adjustment Magnet	266A143-01
Accessories must be ordered separately	

Data Sheet

E2 Sanitary Pressure Transducer

TABLE 2 - SENSOR PRESSURE RANGE

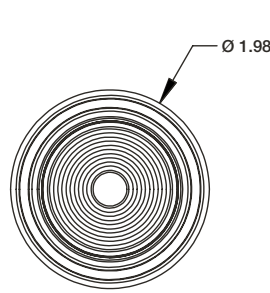
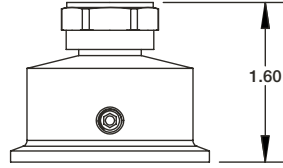
psi	Sensor Material		bar	Sensor Material	
	A	C		A	C
	17-PH SS	316 ISO		17-PH SS	316 ISO
30#	•	•			
45#	•	•	2BR		•
50#	•	•	2.5BR	•	•
60#	•	•	4BR	•	•
75#	•	•	6BR	•	•
100#	•	•	10BR	•	•
150#	•	•	16BR	•	•
200#	•	•	20BR	•	•
250#	•	•	25BR	•	•
300#	•	•	40BR	•	•
500#	•	•	60BR	•	•
750#	•				
1000#	•				
			VACBR		•
			V&1BR		•
			V&1.6BR		•
			V&2BR		•
VAC#		•	V&4BR	•	•
V&15#	•	•	V&6BR	•	•
V&30#	•	•	1BRA		•
V&45#	•	•	1.6BRA		•
V&60#	•	•	2BRA		•
V&100#	•	•	2.5BRA		•
V&150#	•	•	4BRA		•
V&200#	•	•	6BRA		•
V&300#	•	•	10BRA		•
15#A		•	16BRA		•
30#A		•	20BRA		•
50#A		•			
100#A		•			
120#A		•			
300#A		•			

TABLE 3 - PRESSURE CONNECTION DIMENSIONS

1½" Tri-Clamp® Connection

Code: S15

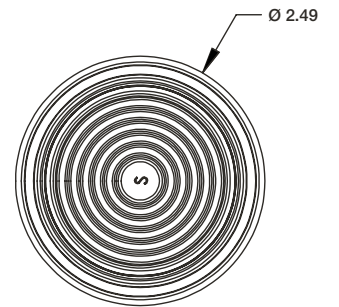
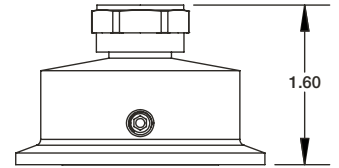
MAWP: 1,000 psi



2" Tri-Clamp® Connection

Code: S20

MAWP: 1,000 psi



Data Sheet

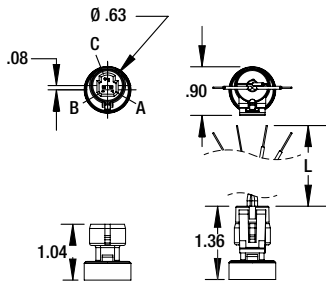
E2 Sanitary Pressure Transducer

TABLE 4 - ELECTRICAL TERMINATION DIMENSIONS

Maximum temperature range listed

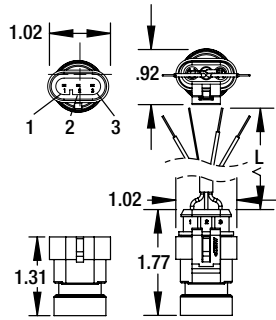
Metri Pack 3-Pin

Code: GN – IP67 (NEMA 4X)
-40°F to 185°F (-40°C to 85°C)



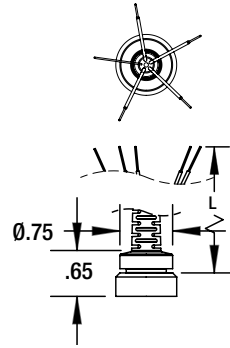
AMP Superseal 3-Pin

Code: AP – IP66 (NEMA 4X)
-40°F to 185°F (-40°C to 85°C)



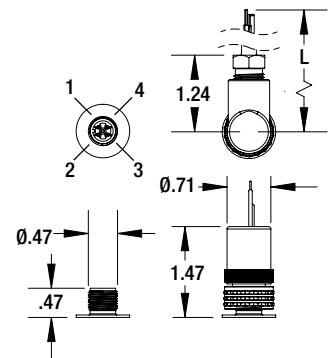
Over-Mold Cable

Code: FC, FV* – IP67 (NEMA 4X)
-40°F to 185°F (-40°C to 85°C)



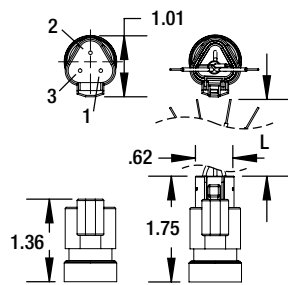
M12 4-Pin

Code: EW – IP66 (NEMA 4X)
-40°F to 185°F (-40°C to 85°C)



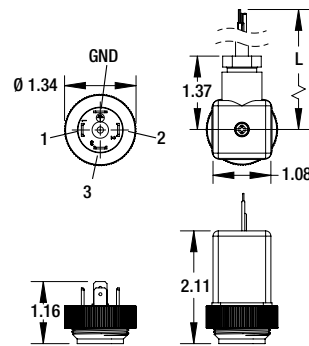
DEUTSCH DT04 3-Pin

Code: DT – IP66 (NEMA 4X)
-40°F to 185°F (-40°C to 85°C)



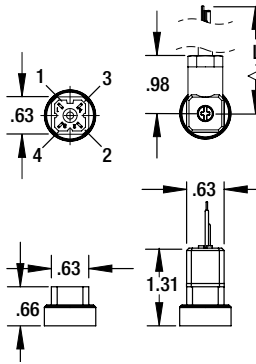
Hirschmann EN 175301-803 Form A

Code: DA – IP66 (NEMA 4X)
-40°F to 185°F (-40°C to 85°C)



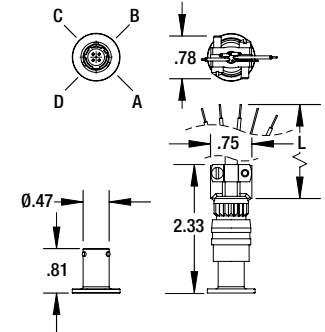
Mini-Hirschmann

Code: HM – IP66 (NEMA 4X)
-40°F to 185°F (-40°C to 85°C)



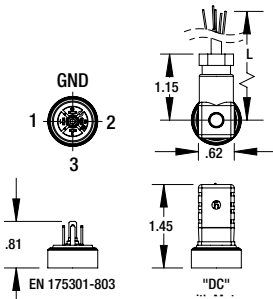
MIL DTL 26482 8 4-Pin

Code: B4 – No IP or NEMA rating
-40°F to 221°F (-25°C to 105°C)



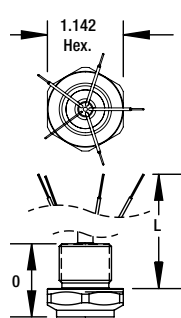
Hirschmann EN 175301-803 Form C

Code: DC
IP66 (NEMA 4X)
-40°F to 185°F (-40°C to 85°C)



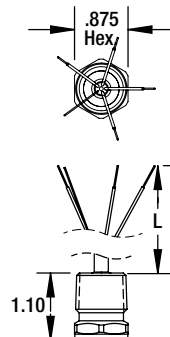
M20 Conduit With Cable

Code: MC, MV*
IP67 (NEMA 4X)
-40°F to 257°F (-40°C to 125°C)



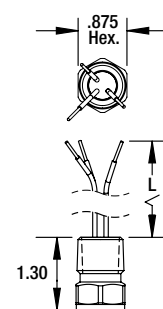
1/2 NPT Conduit With Cable

Code: CC, CV*
IP67 (NEMA 4X)
-40°F to 257°F (-40°C to 125°C)



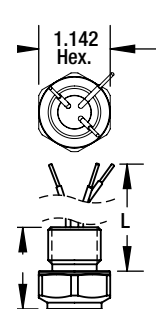
1/2 NPT Conduit With Flying Leads

Code: CF
IP67 (NEMA 4X)
-40°F to 257°F (-40°C to 125°C)



M20 Conduit With Flying Leads

Code: MF
IP67 (NEMA 4X)
-40°F to 257°F (-40°C to 125°C)



Note: * Indicates Vented Cable

E2 Sanitary Pressure Transducer

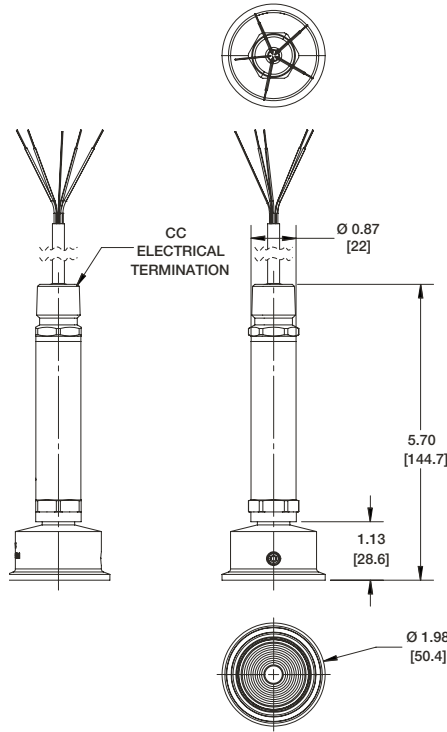
TABLE 5 - PRESSURE RANGES		
Vac.	PSI	bar
Compound	V&15# ⁽¹⁾	V&1BR ⁽¹⁾
	—	V&1.6BR ⁽¹⁾
	V&30# ⁽¹⁾	V&2BR ⁽¹⁾
	V&45# ⁽¹⁾	—
	V&60# ⁽¹⁾	V&4BR ⁽¹⁾
	—	V&6BR ⁽¹⁾
	V&100# ⁽¹⁾	—
	V&150# ⁽¹⁾	—
	V&200# ⁽¹⁾	—
	V&300# ⁽¹⁾	—
Absolute Pressure (psia)	30#	2BR
	—	2.5BR
	45#	—
	50#	—
	60#	4BR
	75#	—
	—	6BR
	15#A ⁽¹⁾	1BRA
	—	1.6BRA
	30#A ⁽¹⁾	2BRA
	—	2.5BRA
	50# ⁽¹⁾	—
	—	4BRA
	—	6BRA
	100#A ⁽¹⁾	—
—	10BRA	
—	16BRA	
—	20BRA	
500#A ⁽¹⁾	—	

⁽¹⁾All vacuum, compound and absolute ranges must be selected with mineral oil fill fluid (XMY)

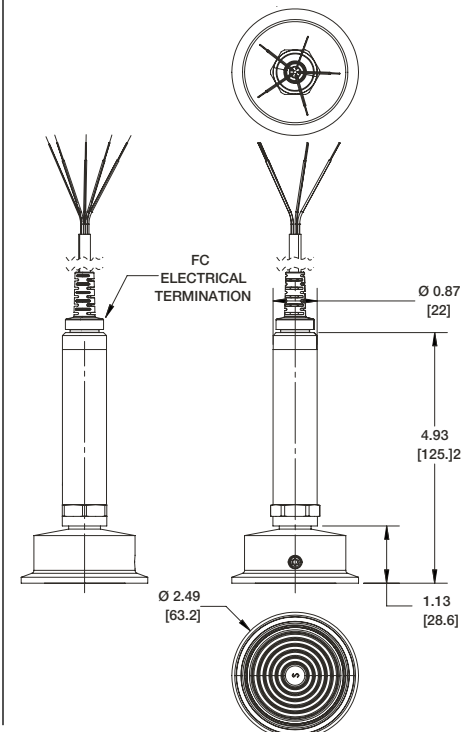
DIMENSIONS

For reference only, consult Ashcroft for specific dimensional drawings

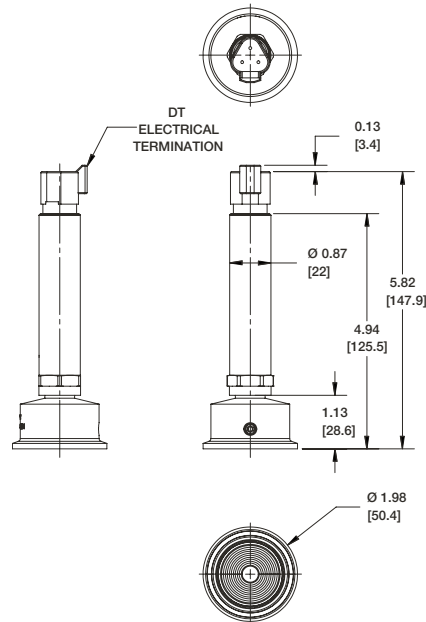
E2 Transducer with S15 Sanitary Seal and CC Electrical Termination



E2 Transducer with S20 Sanitary Seal and FC Electrical Termination



E2 Transducer with S15 Sanitary Seal and DT Electrical Termination



E2 Transducer with S20 Sanitary Seal and GN Electrical Termination

