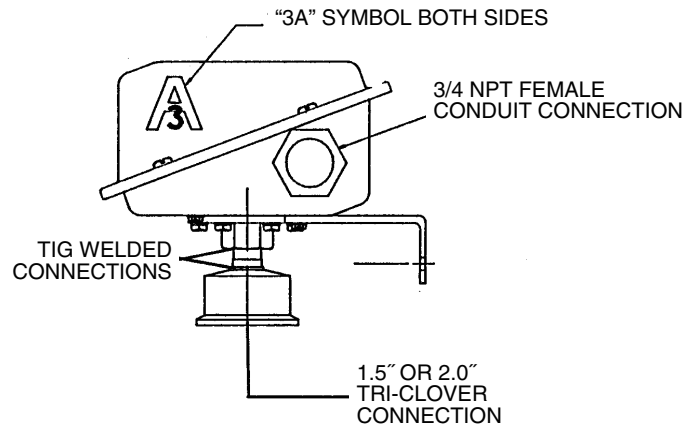


### ASHCROFT SANITARY PRESSURE SWITCH OPTION X3A

Our sanitary pressure switch was developed to meet the increasing demand for sanitary products in the food and pharmaceutical processing industries.

These industries often require special product to meet their needs for cleanliness. One well accepted standard applying to pressure switches is the 3A Sanitary Administrative Council Sanitary Standard 74-03. Originally developed for milk processing, it requires the use of continuously welded stainless steel joints polished on all parts in contact with product (process).



To meet the 3A standard, we use a diaphragm seal, welded to a B, G, or L series pressure switches. Filled with 99.5% pure food grade USP Glycerin, these switches are approved by 3A and carry the 3A emblem.

### SPECIAL FEATURES

- 1½" (XY5) or 2" (XY6) Tri-Clover® Connection
- G-Series Features Stainless Steel Enclosures
- All Welded Assembly of Wetted Parts
- 3A Approval To Sanitary Standard 37-01
- USP Food Grade Glycerin Fill (99.5% pure)
- Process and Ambient Temp. Limits –20 to 250°F
- 3.1 Material Traceability
- Electropolished 316L stainless steel 12-20RA Mirco-Inch

### QUICK AND EASY

One added benefit of these switches is the quick connect feature of the sanitary seal. Because equipment often has to be taken apart for cleaning or quick process change, this is a standard Tri-Clover connection which is already used extensively in Food and Pharmaceutical processing plants and will be readily accepted. New A-Series switches carry 3A approved when ordered with process connection 75 (¾" sanitary seal), 15 (1.5" sanitary seal) or 20 (2.0" sanitary seal).

Tri-Clover is a registered trademark of Alpha Laurel

### G & L-SERIES

Example – GPD-N4-GG-S-25-XY5-3A-100#

Connection: 1½"

TYPE	ENCLOSURE	ELECTRICAL	ACTUATOR SEAL	CONNECTION	OPTIONS	RANGE
GPA, GPD & GPS Pressure Switch Only LPA, LPP, LPS	N4 – NEMA 4 Watertight and Corrosion Resistant	All Single and Dual Switch Elements Available	S–Welded 316 St. St. B–Buna N V–Viton T–Teflon	25 – ¼ NPTF	3A – Y5 (1.5" Sanitary Seal)	Vacuum to 600 psi

### NEW A-SERIES

Example – APAN41HO12LS75 30#-NSR

Connection: ¾"

TYPE	ENCLOSURE	SWITCH ELEMENT	ELECTRICAL	ACTUATOR	RANGE
APS APA	N4 N7	All	All	S	-.15/15# to 200#

### B-SERIES

Example – B424S-XY6-3A-100#

Connection: 2.0"

TYPE	ENCLOSURE	SWITCH ELEMENT	ACTUATOR SEAL	OPTIONS	RANGE
B-Series	NEMA 4 Watertight and Corrosion Resistant	All Single and Dual Elements Available	S–Welded 316 St. St. B–Buna N V–Viton T–Teflon	3A Y6 (2.0" Sanitary Seal)	Vacuum to 600 psi